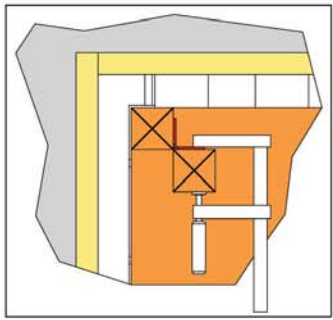
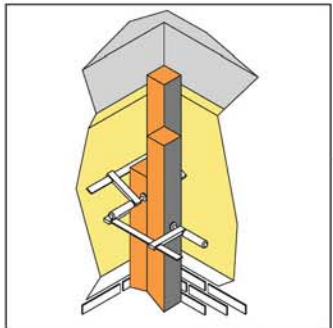


Easypointer®

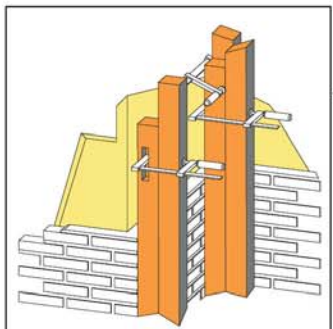
INSTRUCTION: DUBBLE BEAM



single beam with bracket
fixated with clamp

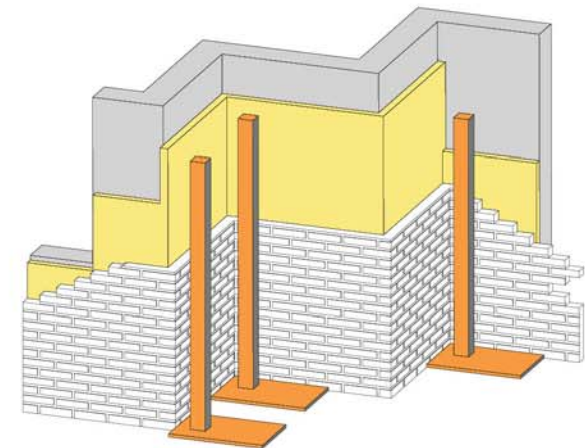
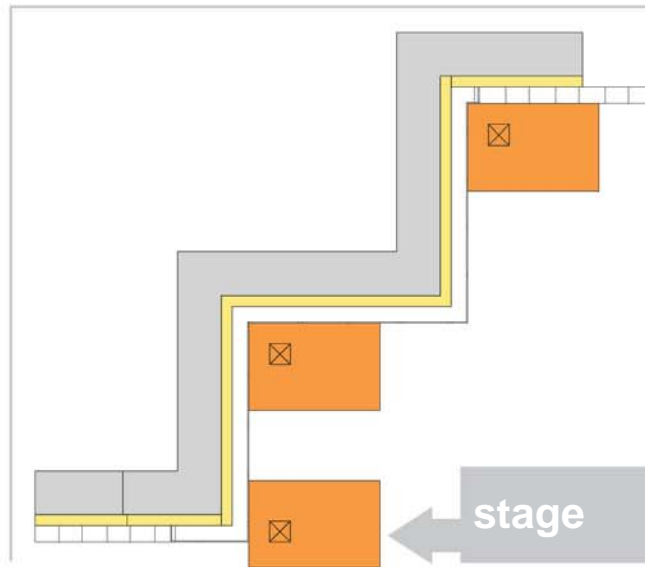
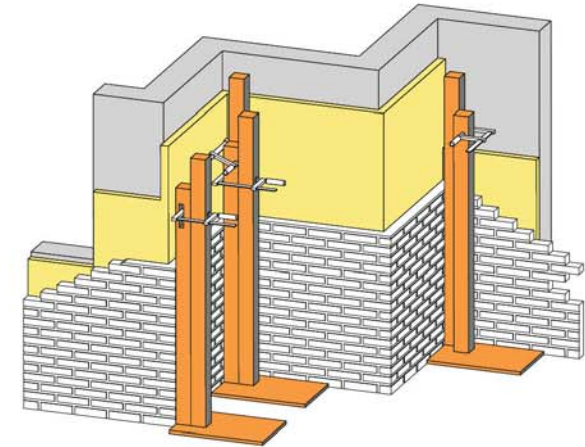
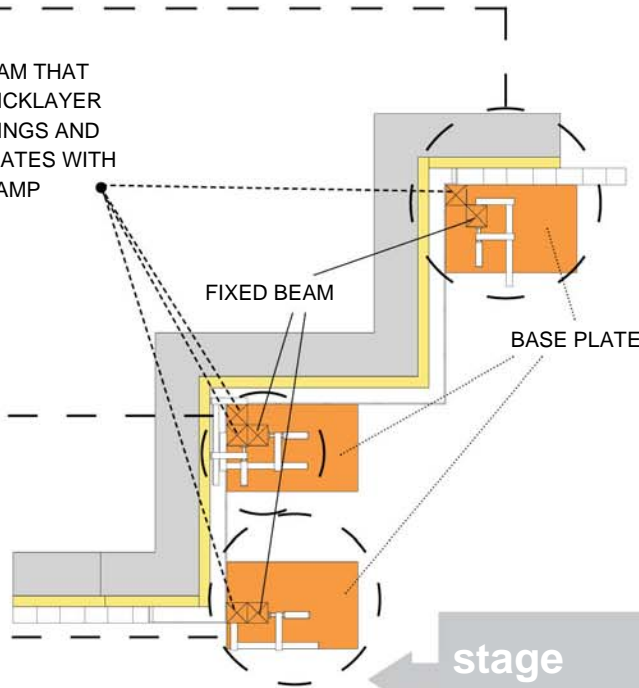


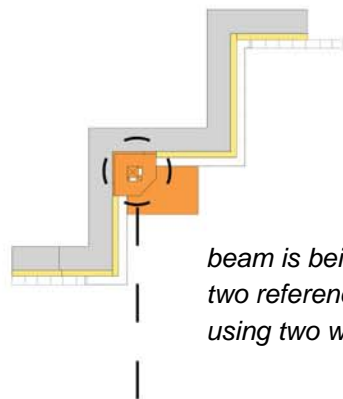
inside corner with 2 beams
(it's recommended to use the
single beam with bracket and
clamp version)



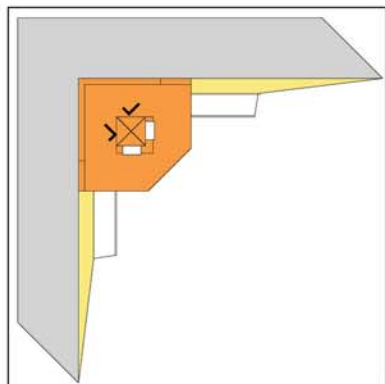
single beam with cutout for
clamp

BEAM THAT
BRICKLAYER
BRINGS AND
FIXATES WITH
CLAMP





beam is being pressed against two reference points (✓) using two wedges

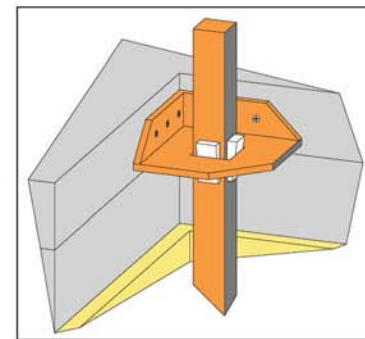
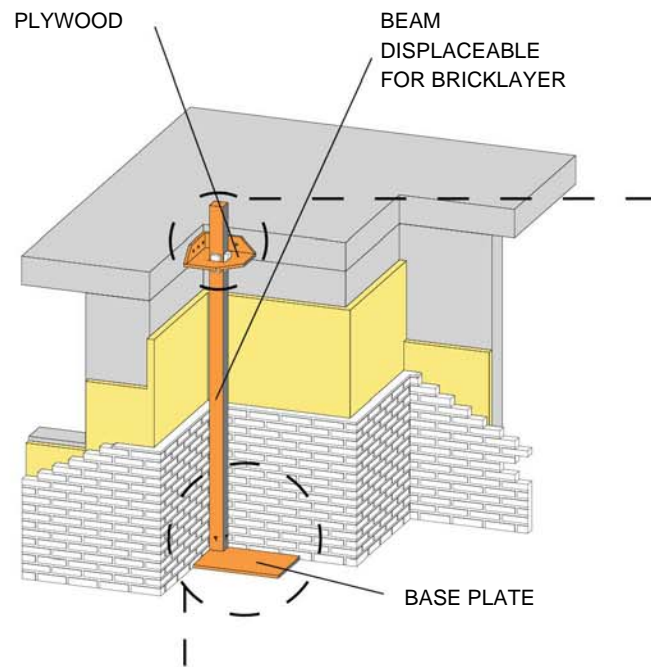


stage masonry

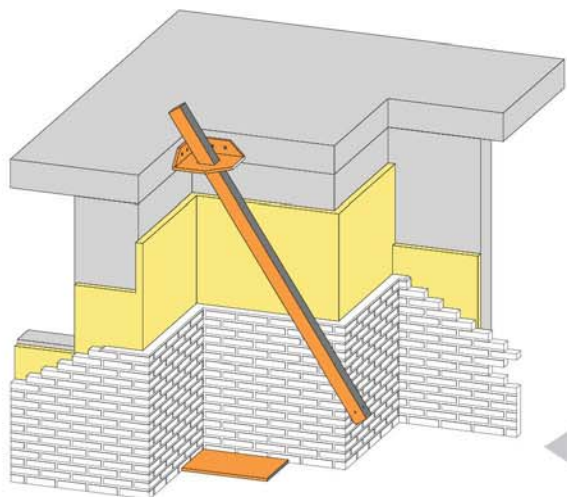


Easypointer®

INSTRUCTION: SINGLE BEAM

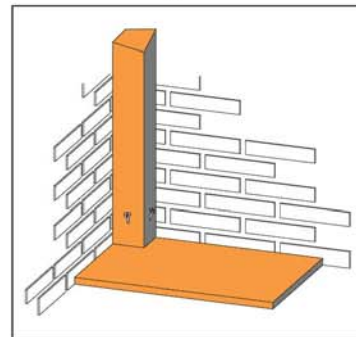


plywood plate with opening for a beam which can be placed and removed to point the inner corner.



after the two wedges at the top and the screws at the bottom have been removed the beam can be taken away

stage pointing



below the beam is fixed with screws on a base plate so it can be easily removed and put back by the bricklayer.

